

Paradigm[®]

OWNERS MANUAL



SUBWOOFER CONSUMES LESS
THAN 0.5 WATTS IN STANDBY.



CINEMA[™] SUB



RECYCLING AND REUSE GUIDELINES (Europe)

In accordance with the European Union WEEE (Waste Electrical and Electronic Equipment) directive effective August 13, 2005, we would like to notify you that our speakers may contain regulated materials which, upon disposal, require special reuse and recycling processing. For this reason Paradigm Electronics Inc. (the manufacturer of Paradigm speakers and Anthem electronic products) has arranged with its distributors in European Union member nations to collect and recycle this product at no cost to you. To find your local distributor please contact the dealer from whom you purchased this product or go to our website at www.paradigm.com.

Please note that only the product falls under the WEEE directive. When disposing of packaging and other shipping material we encourage you to recycle through the normal channels.



Thank you for choosing the compact Cinema™ Sub and congratulations. You are about to hear the difference this sonically accurate subwoofer will make in your music and home theater system. It is the product of countless hours of comprehensive research and development and will reward you with exceptional sound for many years.

To ensure proper installation please read this manual and follow all instructions. If you have further questions contact your Authorized Paradigm® Dealer or visit the Q&A page on our website at **www.paradigm.com**

TABLE OF CONTENTS

Safety Precautions 3

Important Safety Instructions 4

Your New Subwoofer 5

Attaching the Feet and the Logo 6

Subwoofer Placement 7

Subwoofer Connection 7

Setting Subwoofer Controls 8

Troubleshooting Guide 9

Technical Specifications 10

Limited Warranty 11



SAFETY PRECAUTIONS

READ THIS SECTION CAREFULLY BEFORE PROCEEDING!



WARNING
RISK OF ELECTRIC SHOCK
DO NOT OPEN



WARNING: TO REDUCE THE RISK OF ELECTRIC SHOCK, DO NOT REMOVE COVER (OR BACK). NO USER-SERVICEABLE PARTS INSIDE. REFER SERVICING TO QUALIFIED SERVICE PERSONNEL.



THE LIGHTNING FLASH WITH ARROWPOINT WITHIN AN EQUILATERAL TRIANGLE WARNS OF THE PRESENCE OF UNINSULATED "DANGEROUS VOLTAGE" WITHIN THE PRODUCT'S ENCLOSURE THAT MAY BE OF SUFFICIENT MAGNITUDE TO CONSTITUTE A RISK OF ELECTRIC SHOCK TO PERSONS.



THE EXCLAMATION POINT WITHIN AN EQUILATERAL TRIANGLE WARNS USERS OF THE PRESENCE OF IMPORTANT OPERATING AND MAINTENANCE (SERVICING) INSTRUCTIONS IN THE LITERATURE ACCOMPANYING THE APPLIANCE.

WARNING: TO REDUCETHE RISK OF FIRE OR ELECTRIC SHOCK, DO NOT EXPOSE THIS APPARATUS TO RAIN OR MOISTURE, AND OBJECTS FILLED WITH LIQUIDS, SUCH AS VASES, SHOULD NOT BE PLACED ON THIS APPARATUS.


CAUTION: TO PREVENT ELECTRIC SHOCK, MATCH WIDE BLADE OF PLUG TO WIDE SLOT, FULLY INSERT.

CAUTION: FOR CONTINUED PROTECTION AGAINST RISK OF FIRE, REPLACE THE FUSE ONLY WITH THE SAME AMPERAGE AND VOLTAGE TYPE. REFER REPLACEMENT TO QUALIFIED SERVICE PERSONNEL.

WARNING: UNIT MAY BECOME HOT. ALWAYS PROVIDE ADEQUATE VENTILATION TO ALLOW FOR COOLING. DO NOT PLACE NEAR A HEAT SOURCE, OR IN SPACES THAT CAN RESTRICT VENTILATION.



IMPORTANT SAFETY INSTRUCTIONS

1. Read these instructions.
2. Keep these instructions.
3. Heed all warnings.
4. Follow all instructions.
5. Do not use this apparatus near water.
6. Clean only with dry a cloth.
7. Do not block any ventilation openings. Install in accordance with the manufacturer's instructions.
8. Do not install near any heat sources such as radiators, heat registers, stoves, or other apparatus (including amplifiers) that produce heat.
9. Do not defeat the safety purpose of the polarized or grounding-type plug. A polarized plug has two blades with one wider than the other. A grounding type plug has two blades and a third grounding prong. The wide blade or the third prong are provided for your safety. If the provided plug does not fit into your outlet, consult an electrician for replacement of the obsolete outlet.
10. Protect the power cord from being walked on or pinched, particularly at plugs, convenience receptacles and the point where they exit from the apparatus.
11. Only use attachments/accessories specified by the manufacturer.
12.  Use only with the cart, stand, tripod, bracket, or table specified by the manufacturer or sold with the apparatus. When a cart is used, use caution when moving the cart/ apparatus combination, to avoid injury from tip-over.
13. Unplug this apparatus during lightning storms or when unused for long periods of time.
14. Refer all servicing to qualified service personnel. Servicing is required when the apparatus has been damaged in any way, such as power-supply cord or plug is damaged, liquid has been spilled or objects have fallen into the apparatus, the apparatus has been exposed to rain or moisture, does not operate normally, or has been dropped.
15. Use the mains plug to disconnect the apparatus from the mains or "TO COMPLETELY DISCONNECT THIS APPARATUS FROM THE AC MAINS, DISCONNECT THE POWER SUPPLY CORD PLUG FROM THE AC RECEPTACLE."
16. "WARNING – TO REDUCE THE RISK OF FIRE OR ELECTRIC – SHOCK, DO NOT EXPOSE THIS APPARATUS TO RAIN OR MOISTURE"
17. "DO NOT EXPOSE THIS EQUIPMENT TO DRIPPING OR SPLASHING AND ENSURE THAT NO OBJECTS FILLED WITH LIQUIDS, SUCH AS VASES, ARE PLACED ON THE EQUIPMENT."
18. "THE MAINS PLUG OF THE POWER SUPPLY CORD SHALL REMAIN READILY OPERABLE."



YOUR NEW SUBWOOFER

You are about to experience the accurate deep bass performance of our Cinema™ Sub. This subwoofer offers high output with low distortion, deep bass extension and superb definition. To achieve optimal bass performance for music and home theater, please read through the information that follows.

Input Facilities

Low-Level Input

Allows connection from the Sub/LFE Output of an A/V receiver, processor or other suitable low-level source.

Control Facilities

Auto On/Standby

Subwoofer will turn on when it receives an input signal. If no signal is sensed for a period of time, the subwoofer will automatically switch to Standby.

Subwoofer Level

Balances the subwoofer output level to your speaker system's output.

Subwoofer Cut-Off Frequency

Controls the subwoofer's upper-frequency cut-off to match the low-frequency characteristics of your speakers.

Subwoofer Phase Switch

Changes the phase of the subwoofer by 180° relative to your speakers.



ATTACHING THE FEET AND THE LOGO

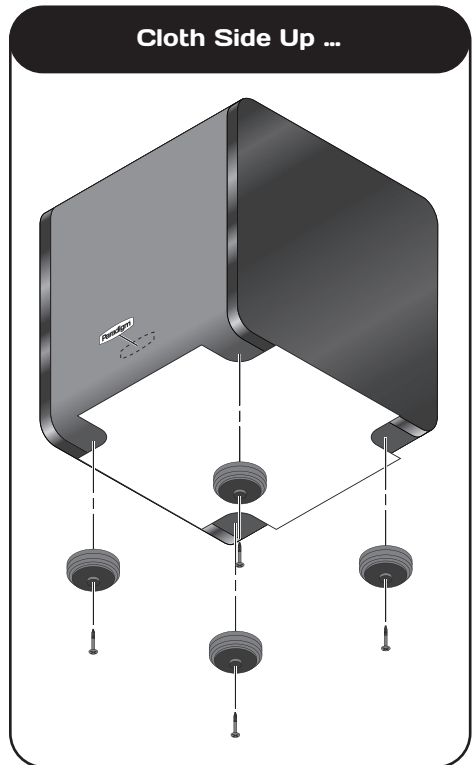
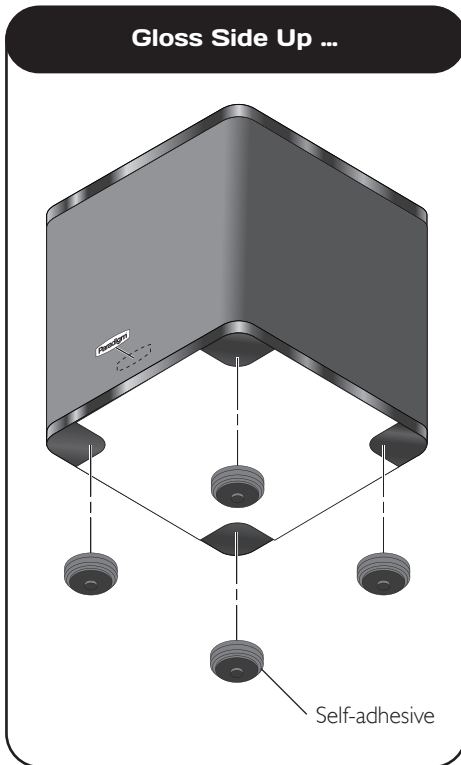
NOTE: As a guide for attaching feet follow the template included with your subwoofer.

1. Decide whether you want subwoofer to sit **cloth side up** or **gloss side up**. This decision is important, once you have attached feet the installation is permanent.
2. Align template with edges of subwoofer. **NOTE:** On cloth side, the two edges are beveled so template will not lie perfectly flush. Don't sweat this!
3. **Attaching Feet On Gloss Side:**
Before removing backing do a preliminary placement, positioning the first foot exactly as shown on the template. Once you are comfortable, remove backing and attach foot. Attach remaining feet using the same procedure.

Attaching Feet on Cloth Side:

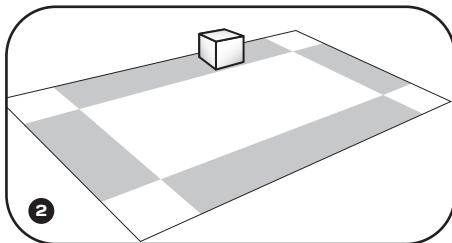
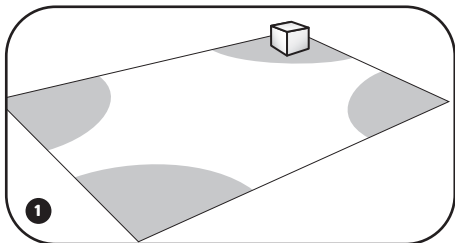
Feel through cloth for screw hole underneath. Position foot over hole and screw in. Attach remaining feet following the same procedure.

4. Paradigm logo: remove backing and carefully position as shown.



SUBWOOFER PLACEMENT

We recommend positioning your subwoofer close to the wall, between the front speakers. Corner placement (1) provides the most bass, but sometimes at the expense of accuracy. A subwoofer placed near a wall (2) usually provides a good balance of quantity and accuracy. Ensure that the power cord is accessible.



SUBWOOFER CONNECTION



SAFETY PRECAUTION: Before proceeding with this section be sure to read and follow all safety precaution instruction notices at the beginning of this manual.



Turn all components **OFF** before connecting the subwoofer.

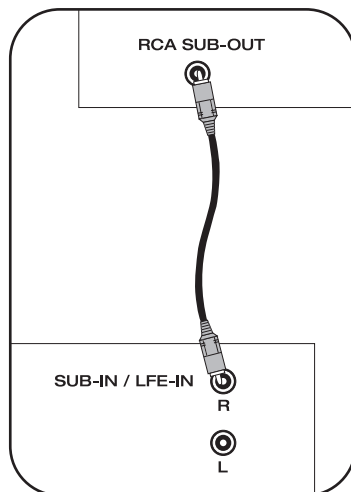
Ensure subwoofer is installed in a location where any rear amplifier parts (panels, heatsinks, etc.) cannot be accidentally touched.

We recommend the use of high-quality cables and connectors when hooking up your subwoofer (see your Dealer).

Low-Level Input

(For use with a receiver, processor or control unit with a Sub-Out/LFE-Out jack.)

Using an RCA-to-RCA interconnect cable connect the subwoofer using the Right (Mono) input as shown.



SETTING SUBWOOFER CONTROLS

When setting up your subwoofer and fine tuning it to compliment your system, use music and video soundtracks that you know well. They should contain selections with extended bass that is continuous and repetitive. Set any tone or equalizer controls on your receiver or preamplifier to flat (zero) and switch any loudness controls off.

Room acoustics vary. Experiment with subwoofer placement to find the best position. Certain subwoofer positions may cause some bass frequency cancellation—when your speakers and subwoofer are “out-of-phase” they work against each other through the crossover region and bass is reduced. If bass sounds “weak” or “dislocated,” change the phase according to the instructions in point 4, below. When adjusting your subwoofer, remember that bass should not be overbearing—the subwoofer should not draw attention to itself—but it shouldn’t be “thin” or difficult to hear, either. Use the following set-up tips to fine-tune subwoofer bass in your listening room:

1. Turn the **Subwoofer Cut-Off Frequency Control** to the middle of the “Normal” range.
2. Slowly rotate the **Subwoofer Level Control** until you match the subwoofer output level with the level of your speakers. Bass should be clearly audible but not intrusive.
3. If the sound is too “thin” set the **Subwoofer Cut-Off Frequency Control** higher than the “Normal” range; if the sound becomes “boomy” set the **Subwoofer Cut-Off Frequency Control** lower than the normal range.
4. If the bass sounds weak or “dislocated” you may have a phase alignment problem. Your Cinema™ Sub has a **Phase Switch** which is normally set to the 0° position. Switch it to the 180° position—this will switch the phase of the subwoofer by 180° relative to your speakers. Listen to determine if you hear more bass. If you don’t hear more bass, return the Phase Switch to its original position and then experiment with subwoofer placement to find an area of the room where there is less bass cancellation.



TROUBLESHOOTING GUIDE

PROBLEM	SOLUTION
No Sound	<ul style="list-style-type: none">• Make sure receiver, preamp or amplifier is plugged in and turned on. Check power outlet at the wall is working.• Are headphones plugged in, or is the system on Mute?• Re-check all connections.
No Sound from One or More Speakers	<ul style="list-style-type: none">• Check your balance control or VC-150 Volume Control (if using).• Check that all power cords are properly plugged in and functioning• Swap a non-working speaker with one that works to determine if the problem is with the speaker or something else (i.e. wiring, amplifier).
Lack of Bass or Dislocated Image	<ul style="list-style-type: none">• One or more speakers may be connected out of phase (their polarity is reversed).• Re-check to ensure that each speaker's cable is connected with correct polarity: red (+) to red (+) and black (-) to black (-).



TECHNICAL SPECIFICATIONS

	Cinema™ Sub
Design	Single driver, bass reflex, high-velocity low-turbulence resistive port, built-in amplifier
Amplifier: High-current, Discrete Output	300 watts Dynamic Peak; 100 watts RMS Sustained
Amplifier Features	Auto-On / Standby, soft clipping
Bass Driver	210-mm (8 in) reinforced polymer-composite cone, 38-mm (1-1/2 in) voice-coil
Low-Frequency Extension*	32 Hz (DIN)
Subwoofer Cut-Off Frequency	Variable 35 Hz – 150 Hz; Bypass option
Sub / Sat Phase Alignment Switch	0° or 180°
Line-Level Input	Two RCA (L/R-Mono) for L/R lineout or Sub-Out/LFE-Out of receiver/processor or other line-level source
Line-Level Input Sensitivity	130 mV
Line-Level Input Impedance	10k ohms
Dimensions (h x w x d) (gloss side up, height includes feet)	34.2 cm x 32.2 cm x 32.2 cm 13-7/16 in x 12-11/16 in x 12-11/16 in
Weight (unpacked)	9.7 kg / 21.4 lb
Finish	Black Gloss

*DIN 45 500 Indicates -3 dB in a typical listening room.

† With typical program source, provided the amplifier clips no more than 10% of the time.



LIMITED WARRANTY

For the Paradigm subwoofer covered in this manual all parts including the amplifier are warranted to be and remain free of manufacturing and/or material defects for a period of **three (3) years**.

Within the time periods specified, repair, replacement or adjustment of parts for manufacturing and/or material defects will be free of charge to the original owner.

Thermal Or Mechanical Abuse/Misuse Is Not Covered Under Warranty.

Limitations:

- Warranty begins on date of original retail purchase from an Authorized Paradigm® Dealer only. It is not transferable;
- Warranty applies to product in normal home use only. If product is subjected to any of the conditions outlined in the next section, warranty is void;
- Warranty does not apply if the product is used in professional or commercial applications.

Warranty is Void if:

- The product has been abused (intentionally or accidentally);
- The product has been used in conjunction with unsuitable or faulty equipment;
- The product has been subjected to damaging signals, derangement in transport, mechanical damage or any abnormal conditions;
- The product (including cabinet) has been tampered with or damaged by an unauthorized service facility;
- The serial number has been removed or defaced.

Owner Responsibilities:

- Provide normal/reasonable operating care and maintenance;
- Provide or pay for transportation charges for product to service facility;
- Provide proof of purchase (your sales receipt given at time of purchase from your Authorized Paradigm® Dealer must be retained for proof-of-purchase date).

Should servicing be required, contact your nearest Authorized Paradigm® Dealer, Paradigm Electronics Inc. or Import Distributor (outside the U.S. and Canada) to arrange, bring in or ship prepaid, any defective unit. Visit our website, www.paradigm.com for more information.

Paradigm Electronics Inc. reserves the right to improve the design of any product without assuming any obligation to modify any product previously manufactured.

This warranty is in lieu of all other warranties expressed or implied, of merchantability, fitness for any particular purpose and may not be extended or enlarged by anyone. In no event shall Paradigm Electronics Inc., their agents or representatives be responsible for any incidental or consequential damages. Some jurisdictions do not allow limitation of incidental or consequential damages, so this exclusion may not apply to you.

Retain this manual and your sales receipt for proof of warranty term and proof of purchase..



Paradigm^{MD}

MODE D'EMPLOI



CAISSON DE SOUS GRAVES CONSOMME
MOINS ,05 WATTS EN MODE VEILLE.



CINEMATM
SUB

CE



DIRECTIVES EUROPEENNES SUR LE RECYCLAGE ET LE TRAITEMENT DES DECHETS

Dans le respect de la directive WEEE (Waste Electrical & Electronic Equipment) mise en place par les institutions Européennes à compter du 13 Août 2005, nous souhaitons vous informer que nos enceintes peut contenir des matières devant faire l'objet d'une procédure de recyclage ou de traitement approprié des déchets. Dans cette optique, Paradigm Electronics Inc (fabricant des enceintes Paradigm et des électroniques Anthem) avec ses Distributeurs agréés dans l'Union Européenne, ont mis en place une procédure de collecte et de retraitement gratuite. Pour en savoir davantage sur cette procédure veuillez contacter votre revendeur, ou notre Distributeur dans votre pays (vous en obtiendrez les coordonnées sur simple demande ou en consultant notre site internet www.paradigm.com).

Notez que seul le produit fini est concerné par cette directive et ses obligations. S'agissant de son emballage et de ses accessoires de transport nous vous recommandons de les recycler selon les procédures mises en place par votre commune ou votre département.



Merci d'avoir choisi le caisson de sous-graves compact Cinema™ et félicitations.

Vous allez entendre la différence que confère ce caisson de sous-graves d'une grande précision sonore à votre système audio ou de cinéma maison. Ce produit est le fruit d'innombrables heures de recherche et développement approfondis et vous fournira un son exceptionnel pendant de nombreuses années.

Pour une installation appropriée, veuillez lire le présent manuel et suivre toutes les instructions. Pour toute autre question, contactez un revendeur Paradigm™ autorisé ou consultez la page Questions-Réponses de notre site Web au www.paradigm.com.

TABLE DES MATIÈRES

Mesures de sécurité	3
Consignes de sécurité importantes	4
Le caisson de sous-graves	5
Fixer les pieds et le logo	6
Positionnement du caisson de sous-graves	7
Raccordement du caisson de sous-graves	7
Réglage des commandes du caisson de sous-graves	8
Guide de dépannage	9
Spécifications techniques	10
Garantie limitée	11



MESURES DE SÉCURITÉ

LIRE ATTENTIVEMENT CETTE SECTION AVANT DE POURSUIVRE!



AVERTISSEMENT

RISQUE DE CHOC
ÉLECTRIQUE – NE PAS OUVRIR.



AVERTISSEMENT : POUR MINIMISER LE RISQUE DE CHOC ÉLECTRIQUE, NE PAS ÔTER LE CAPOT (OU LE PANNEAU ARRIÈRE). IL N'Y A À L'INTÉRIEUR AUCUN COMPOSANT RÉPARABLE PAR L'UTILISATEUR. CONFIER TOUTE INTERVENTION À UN PERSONNEL QUALIFIÉ.



L'ÉCLAIR AVEC UNE POINTE EN FORME DE FLÈCHE DANS UN TRIANGLE ÉQUILATÉRAL AVERTIT L'UTILISATEUR D'UNE « TENSION DANGEREUSE » NON ISOLÉE À L'INTÉRIEUR DU PRODUIT QUI PEUT ÊTRE D'UNE FORCE SUFFISANTE POUR CONSTITUER UN RISQUE DE DÉCHARGE ÉLECTRIQUE.



LE POINT D'EXCLAMATION DANS UN TRIANGLE ÉQUILATÉRAL AVERTIT L'UTILISATEUR DE LA PRÉSENCE DE DIRECTIVES IMPORTANTES EN LIEN AVEC LE FONCTIONNEMENT ET LA MAINTENANCE (SERVICE) DANS LES DOCUMENTS QUI ACCOMPAGNENT LE PRODUIT.

AVERTISSEMENT : POUR DIMINUER LES RISQUES D'INCENDIE OU DE CHOC ÉLECTRIQUE, N'EXPOSEZ PAS CET APPAREIL À LA PLUIE OU À L'HUMIDITÉ; LES OBJETS REMPLIS DE LIQUIDE, TELS QUE LES VASES, NE DOIVENT PAS ÊTRE PLACÉS SUR L'APPAREIL.


MISE EN GARDE : POUR ÉVITER UN CHOC ÉLECTRIQUE, PLACER LA BROCHE LARGE DE LA FICHE EN CORRESPONDANCE AVEC L'ALVÉOLE LARGE, ET INSÉRER COMPLÈTEMENT LA FICHE.

MISE EN GARDE : POUR MAINTENIR UNE PROTECTION CONTINUE CONTRE LES RISQUES D'INCENDIE, REMPLACER LE FUSIBLE UNIQUEMENT PAR UN FUSIBLE DE MÊMES CARACTÉRISTIQUES (INTENSITÉ ET TENSION). CONFIER LE REMPLACEMENT À UN PERSONNEL QUALIFIÉ.

AVERTISSEMENT : LA TEMPÉRATURE DE L'APPAREIL PEUT AUGMENTER. VEILLER À TOUJOURS MÉNAGER UNE VENTILATION ADÉQUATE PERMETTANT LE REFROIDISSEMENT. NE PAS PLACER L'APPAREIL À PROXIMITÉ D'UNE SOURCE DE CHALEUR, OU DANS UN ESPACE OÙ LA VENTILATION EST RESTREINTE.



CONSIGNES DE SÉCURITÉ IMPORTANTES

1. Lire les instructions.
2. Conserver les instructions.
3. Respecter les avertissements.
4. Suivre toutes les instructions.
5. Ne pas utiliser ce produit à proximité d'eau.
6. Nettoyer avec un linge sec uniquement.
7. Ne pas bloquer les ouvertures d'aération. Effectuer l'installation conformément aux instructions du fabricant.
8. Ne pas installer près d'une source de chaleur – radiateur, bouche de chaleur, réchaud/cuisinière ou autres appareils (y compris les amplificateurs, qui produisent de la chaleur).
9. Ne pas circonvier la caractéristique de sécurité de la fiche de branchement polarisée. Une fiche polarisée a deux lames, et une des lames est plus grande que l'autre. Une fiche de type mise à la terre a deux lames et une broche de mise à la terre. La lame large ou la troisième broche sont fournies pour votre sécurité. Si la fiche fournie ne s'insère pas dans la prise, consulter un électricien pour le remplacement de la prise obsolète.
10. Protéger le cordon d'alimentation de manière à ce que personne ne marche dessus et à ce qu'il ne soit pas coincé, particulièrement au niveau des fiches et des prises auxiliaires, et à l'endroit où le cordon d'alimentation sort du produit.
11. Utiliser uniquement les accessoires recommandés par le fabricant.
12.  Utiliser ce produit uniquement avec un dispositif de support (chariot, pied, trépied, support ou table) recommandé par le fabricant ou vendu avec le produit. Lorsqu'un chariot est utilisé, déplacer prudemment le montage chariot/appareil pour éviter les blessures liées au basculement.
13. Débrancher cet appareil pendant les orages ou s'il n'est pas utilisé pendant une longue période.
14. Confier tout travail d'entretien à une personne compétente. L'entretien est nécessaire lorsque l'appareil a été endommagé de quelque façon que ce soit : dommages au cordon d'alimentation ou à la fiche, chute d'un liquide ou d'un objet dans l'appareil, exposition de l'appareil à la pluie ou à l'humidité, fonctionnement anormal ou chute de l'appareil.
15. Utiliser la fiche principale pour débrancher l'appareil de la source d'alimentation principale ou « POUR DÉBRANCHER COMPLÈTEMENT CET APPAREIL DE LA SOURCE D'ALIMENTATION C.A., DÉBRANCHER LA FICHE DU CORDON D'ALIMENTATION DE LA PRISE C.A. ».
16. « AVERTISSEMENT – POUR DIMINUER LE RISQUE DE DÉCHARGE ÉLECTRIQUE OU D'INCENDIE, NE PAS EXPOSER CET APPAREIL À LA PLUIE OU À L'HUMIDITÉ. »
17. « NE PAS EXPOSER CET ÉQUIPEMENT AUX ÉCOULEMENTS OU AUX ÉCLABOUSSURES, ET S'ASSURER QU'AUCUN OBJET REMPLI D'EAU, TEL QU'UN VASE, N'EST PLACÉ SUR L'APPAREIL. »
18. « LA FICHE PRINCIPALE DU CORDON D'ALIMENTATION DOIT RESTER À PORTÉE DE MAIN. »



LE CAISSON DE SOUS-GRAVES

Vous allez faire l'expérience de la puissance et de la précision des basses profondes du caisson de sous graves Cinema™. Celui-ci offre un son incroyable, avec peu de distorsion, une gamme exceptionnelle et une superbe définition. Pour des performances de basses optimales dans votre cinéma maison, lire les directives de positionnement du caisson de sous-graves suivantes.

Connecteurs d'entrée

Entrée niveau bas (Low-Level Input)

Permet le raccordement d'une sortie Sub/LFE d'un processeur ou récepteur A/V ou d'une autre source à bas niveau adéquate.

Commandes de contrôle

Allumage/veille automatique (Auto On/Standby)

Le caisson de sous-graves s'allumera lorsqu'il recevra un signal d'entrée. Si aucun signal ne lui parvient pendant un certain temps, le caisson de sous-graves se mettra automatiquement.

Niveau des sous-graves (Subwoofer Level)

Équilibrage des niveaux de sortie entre caisson de sous-graves et enceintes.

Fréquence de coupure des sous-graves (Subwoofer Cut-Off Frequency)

Ce réglage permet de faire coïncider la fréquence supérieure de coupure du caisson de sous-graves à celle des enceintes.

Changement de phase du caisson de sous-graves (Subwoofer Phase Switch)

Ce réglage permet de déphaser le caisson des sous-graves de 180° par rapport aux enceintes.



FIXER LES PIEDS ET LE LOGO

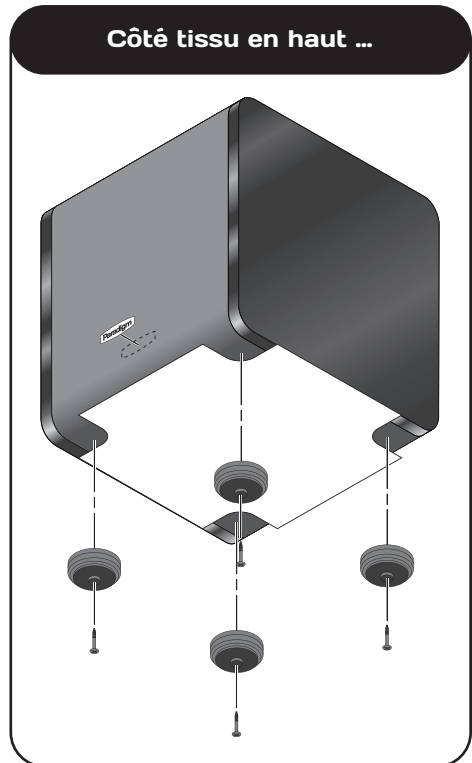
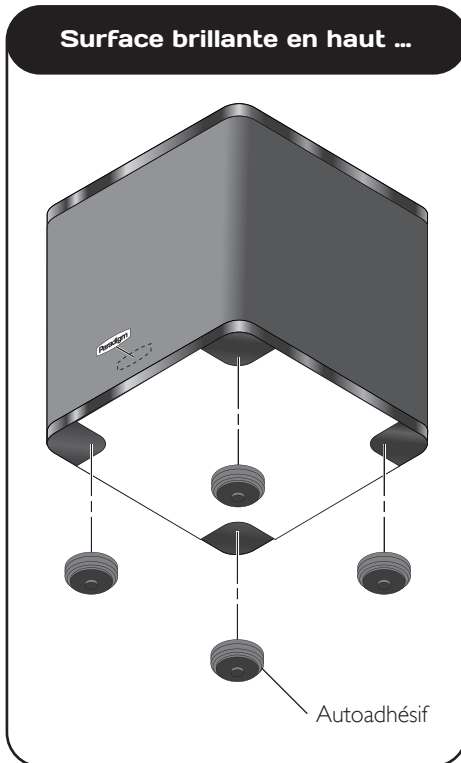
NOTE: Pour savoir comment fixer les pieds, suivez le modèle compris avec le caisson de sous-graves.

1. Décidez si vous souhaitez que le caisson soit placé avec le côté en tissu vers le haut ou avec le côté brillant vers le haut. Cette décision est importante, car une fois que les pieds sont fixés, l'installation est permanente.
2. Alignez le gabarit sur les rebords du caisson de sous-graves. **REMARQUE :** sur le côté tissu, les deux rebords sont biseautés; ainsi le gabarit ne sera pas parfaitement au niveau. Ne vous cassez pas la tête sur ceci!
3. **Fixer les pieds sur le côté brillant :**
Avant d'enlever le soutien, effectuer un positionnement préliminaire, en plaçant le premier pied exactement comme il est indiqué sur le gabarit. Une fois que vous êtes confortable, enlevez le soutien et fixez le pied. Fixez les autres pieds à l'aide de la même procédure.

Fixer les pieds sur le côté en tissu :

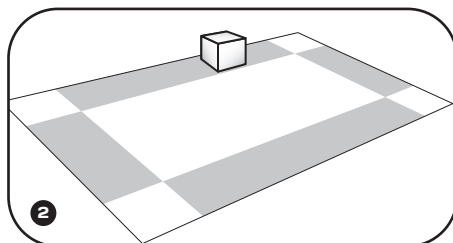
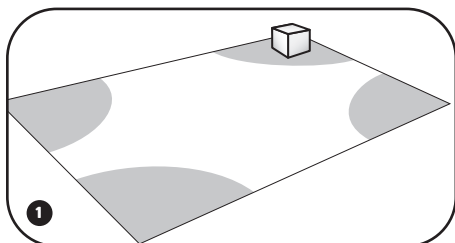
Touchez le tissu pour trouver les trous de vis. Placez le pied sur un trou et vissez-le. Fixez les autres pieds à l'aide de la même procédure.

4. Logo Paradigm : enlevez la partie arrière et apposez-le délicatement, tel qu'illustré.



POSITIONNEMENT DU CAISSON DE SOUS-GRAVES

Il est recommandé de placer le caisson de sous-graves à proximité du mur, entre les enceintes avant. Lorsque le caisson est placé dans un coin (1) permet d'obtenir les graves les plus intenses, mais parfois aux dépens de la précision. Le positionnement du caisson de sous-graves près d'un mur (2) fournit généralement un bon équilibre entre intensité et précision.



RACCORDEMENT DU CAISSON DE SOUS-GRAVES



MISE EN GARDE: Avant de poursuivre le raccordement, lire et observer toutes les instructions de sécurité et tous les avertissements présentés au début du présent manuel.



Éteindre toutes les composantes avant de raccorder le caisson de sous-graves.

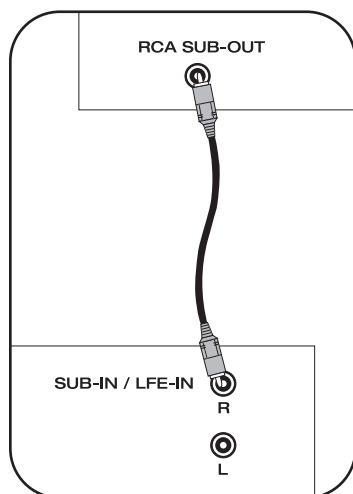
Veiller à ce que le caisson de sous-graves soit installé dans un endroit où il ne sera pas directement exposé à une composante arrière de l'amplificateur (puits thermique, panneaux, etc.).

Nous recommandons l'emploi de câbles et connecteurs de haute qualité pour le raccordement du caisson de sous-graves (consulter le revendeur).

Entrée niveau bas

(Pour utilisation avec un récepteur, un processeur ou un module de commande de caisson de sous-graves comportant une prise de sortie Sub/LFE.)

À l'aide d'un câble de liaison cinch-à-cinch, raccorder le caisson de sous-graves en utilisant la sortie droite (Mono), tel qu'indiqué.



RÉGLAGE DES COMMANDES DU CAISSON DE SOUS-GRAVES

Lors du réglage des commandes du caisson du caisson de sous-graves, employer un enregistrement musical ou le son d'un enregistrement vidéo bien connu. Cet enregistrement devrait contenir des sections de basses continues et répétitives. Régler les commandes de tonalité ou d'égalisation du récepteur ou de l'amplificateur à la position 0 (courbe de restitution neutre) et supprimer toute suramplification des graves.

L'acoustique des pièces est variable. Expérimenter en plaçant le caisson de sous-graves à divers endroits pour trouver la meilleure position. Certaines positions peuvent entraîner un effet d'annulation des fréquences graves : si les enceintes avant et le caisson de sous-graves sont en parfaite opposition de phase, il se produit une compensation/annulation dans la plage de chevauchement des fréquences, ce qui réduit le niveau des graves. Si les fréquences graves semblent être faibles ou si le son semble être « disloqué », rétablir la synchronisation des phases selon les instructions du point 4 ci-dessous. Lors du réglage du caisson de sous-graves, le volume des fréquences très graves ne devrait pas être excessif – le caisson de sous-graves ne doit pas attirer l'attention, mais le son ne doit pas non plus être insuffisant ou peu audible. Les conseils ci-dessous sont utiles pour effectuer un réglage fin de l'intensité des sous-graves dans la pièce d'écoute :

1. Régler **la commande de fréquence de contrôle du caisson de sous-graves** de façon à ce qu'elle soit au milieu de la plage désignée **“Normal.”**
2. Tournez lentement la commande de niveau du caisson de sous-graves jusqu'à ce que le niveau de sortie du caissons de sous-graves corresponde au niveau des enceintes. Les graves doivent être clairement audibles, sans être intrusives.
3. Si la sonorité manque de corps, régler **la fréquence de contrôle des sous-graves** de façon à ce qu'elle dépasse la plage “Normal”; si la sonorité est trop résonnante, régler **la fréquence de contrôle des sous-graves** en-deçà de la plage “Normal.”
4. Si les graves sont trop faibles ou semblent « disloqués », il pourrait s'agir d'un problème d'alignement. **La phase** du caisson des sous-graves Cinema™ est normalement ajustée à la position 0°. Utiliser la commande de changement de phase du caisson pour le déphaser de 180° par rapport aux enceintes. Écouter le résultat afin de déterminer si les graves sont plus audibles. Si ce n'est pas le cas, remettre la phase à sa position originale et modifier le positionnement du caisson de sous-graves afin de trouver un endroit dans la pièce où l'annulation des graves n'est pas aussi intense.



GUIDE DE DÉPANNAGE

PROBLÈME	SOLUTION
Pas de son	<ul style="list-style-type: none">• S'assurer que le préamplificateur ou l'amplificateur est branché et allumé. Vérifier que la prise de courant fonctionne correctement.• Des écouteurs sont-ils branchés ou le système est-il en mode sourdine (mute)?• Vérifier tous les raccords.
Aucun son d'une ou plusieurs enceintes	<ul style="list-style-type: none">• Vérifier la commande de réglage d'équilibre (balance) ou la commande de volume VC 150 (si elle est utilisée).• Vérifier le branchement et le fonctionnement de tous les cordons d'alimentation.• Remplacer l'enceinte qui ne fonctionne pas par une enceinte qui fonctionne pour vérifier si le problème est au niveau de l'enceinte ou ailleurs (c.-à-d. le filage, l'amplificateur).
Déficiance des graves ou image disloquée	<ul style="list-style-type: none">• Il se peut qu'une des enceintes soit déphasée (polarité inversée).• Vérifier de nouveau la polarité de chaque raccordement : rouge (+) à rouge (+) et noir (-) à noir (-).



SPÉCIFICATIONS TECHNIQUES

	Cinema [™] Sub
Design	Haut-parleur simple, bass-reflex, port à haute vélocité et faible turbulence, amplificateur intégré
Amplifier : Courant élevé Sortie discrète	300 watts de crête dynamique; 100 watts de RMS soutenu
Caractéristiques de l'amplificateur	Auto-On / veille, écrêtage doux
Haut-parleur de graves	Cône en composite de polymère renforcé de 210 mm (8 po) Bobine acoustique de 38 mm (1-1/2 po)
Extension de basse fréquence*	32 Hz (DIN)
Fréquence de coupure du caisson de sous-graves	Variable 35 Hz – 150 Hz; option de contournement
Alignement de phase Sub / Sat	0° ou 180°
Entrée niveau de ligne	Deux RCA (L/R-Mono) pour L/R line out ou Sub-Out/LFE-Out du récepteur/processeur ou autre source de niveau de ligne
Sensibilité de l'entrée de niveau de ligne	130 mV
Impédance de l'entrée de niveau de ligne	10k ohms
Dimensions (h x l x p) (Surface brillante en haut, incluent les pieds)	34.2 cm x 32.2 cm x 32.2 cm 13-7/16 po x 12-11/16 po x 12-11/16 po
Poids (déballé, avec pied)	9,7 kg / 21,4 lb
Finish	Lustre noir

*DIN 45 500 Indique -3 dB dans une salle d'écoute typique.

†Avec un programme source typique, attendu que l'amplificateur n'écrête pas plus de 10 % du temps.



GARANTIE LIMITÉ

Les enceintes acoustiques Paradigm® présentées dans ce manuel sont garanties contre les défauts de matériaux et de fabrication pendant une période de **cinq (5) ans** à compter de la date d'achat du matériel neuf.

Pour le caisson de sous-graves Paradigm présenté dans ce manuel, toutes les pièces, y compris l'amplificateur, sont garanties contre les défauts de matériaux et de fabrication pendant une période de **trois (3) ans**.

Durant les périodes de temps indiquées, la réparation, le remplacement ou le réglage de pièces pour des défauts de matériaux ou de fabrication ne seront pas à la charge du premier acheteur.

Les dommages causés par l'exposition abusive à la chaleur ou l'usage abusif ne sont pas couverts par la présente garantie.

Limitations :

- La garantie entre en vigueur à la date d'achat par le premier acheteur chez un revendeur autorisé Paradigm™ Reference seulement. La garantie n'est pas transférable;
- La garantie s'applique aux enceintes pour une utilisation résidentielle normale. Si les enceintes sont assujetties à l'une des conditions définies dans le paragraphe suivant, la garantie est nulle;
- La garantie ne s'applique pas à un usage commercial ou professionnel.

La garantie est révoquée si :

- L'enceinte est assujettie à un usage abusif (accidentel ou intentionnel);
- L'enceinte est utilisée avec du matériel défectueux ou non adéquat;
- L'enceinte est soumise à des signaux électriques dommageables, un transport dangereux, des dommages mécaniques ou toute autre condition anormale;
- L'enceinte (y compris le boîtier) est altérée ou endommagée lors d'une réparation non autorisée;
- La plaque du numéro de série de l'enceinte est enlevée ou défigurée.

Responsabilités du propriétaire :

- Apporter un soin et un entretien normaux et raisonnables;
- Assumer les frais de transport jusqu'à l'atelier de réparation;
- Fournir une preuve d'achat (conserver le reçu fourni lors de l'achat par le revendeur autorisé Paradigm™ comme preuve de la date d'acquisition).

Si une réparation est nécessaire, contacter le revendeur autorisé Paradigm™, Paradigm Electronics Inc. ou le distributeur à l'étranger (à l'extérieur du Canada et des États-Unis) pour planifier l'envoi prépayé de l'enceinte défectueuse. Consulter le site web www.paradigm.com pour plus d'information.

Paradigm Electronics Inc. se réserve le droit d'améliorer ou de modifier ses produits en tout temps sans responsabilité ou engagement envers les produits existants.

La présente garantie tient en lieu et place de toute autre garantie, explicite ou implicite, de qualité marchande et d'adéquation pour tout usage particulier, et ne peut être élargie ou étendue par quiconque. Paradigm Electronics Inc. et ses représentants ou agents ne peuvent pas être tenus responsables de dommages consécutifs ou indirects découlant de l'utilisation de ces produits. Dans les endroits où une réglementation spécifique interdit une telle limitation de la responsabilité, cette exclusion ne s'applique pas.

Conserver le présent manuel et le reçu comme preuves d'achat et de garantie.

